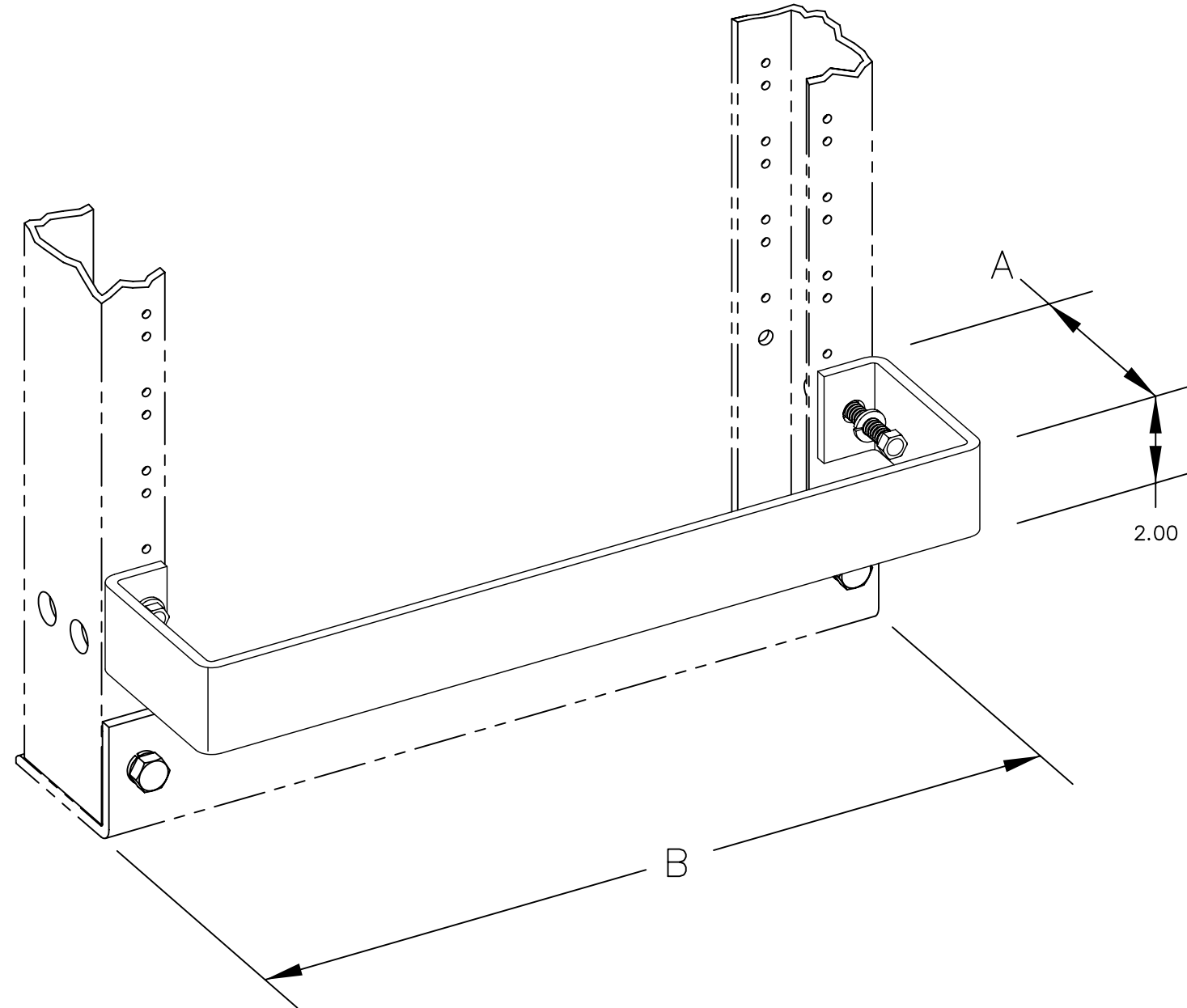



NOTES: (UNLESS OTHERWISE SPECIFIED)

1. DIMENSIONS ARE IN INCHES.
2. DIMENSIONS ARE FOR REFERENCE ONLY.
3. MOUNTING HARDWARE INCLUDED.



| PART NO | DIMENSIONS | |
|---------|------------|-------|
| | A | B |
| -01 | 4.25 | 24.31 |
| -02 | 5.25 | 24.31 |
| -03 * | 6.50 | 24.31 |
| -04 | 7.00 | 24.31 |
| -05 | 9.50 | 24.31 |
| -06 | 12.00 | 24.31 |
| -07 | 7.00 | 24.31 |
| -08 | 5.25 | 26.38 |
| -09 | 5.25 | 26.38 |
| -10 | 6.00 | 24.31 |
| -11 | 3.00 | 24.31 |
| -12 | 19.50 | 24.31 |

* TELECT STANDARD

| | | | |
|--|------------------|---|-------------------|
| DESIGNED BY CMA | DATE 07/31/96 |  N 1730 Madson Street PO Box 665 Liberty Lake, Washington 99019 (509) 926-6000 | |
| DRAWN BY R. BURNHAM | DATE 03/25/05 | | |
| NOT FOR REPRODUCTION COPYRIGHT 2005 | | TITLE CUSTOMER DRAWING GUARD RAIL BAR TYPE | |
| This document contains proprietary information that is property of TELECT, INC., Spokane, Washington. It is intended for the exclusive use of our customer for information, installation, and/or service. The recipient agrees not to reproduce or copy this document or its contents in whole or in part without prior written permission from TELECT, INC. This document must be returned promptly if no longer needed or upon written request from TELECT, INC. | | PART NO 02132-XX | SHEET SIZE B A |
| | | PROJECT R002 | SCALE NTS |