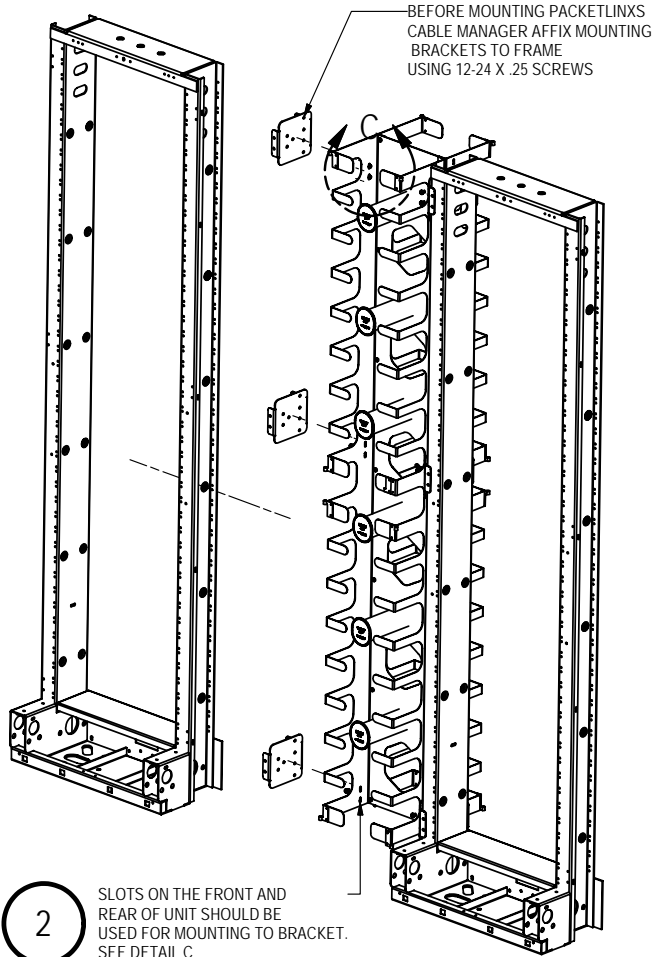
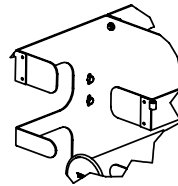


# INSTALLATION INSTRUCTIONS

FOR SAFETY THE PACKETLINXS CABLE MANAGER SHOULD BE MOUNTED WITHOUT COVERS ATTACHED. SEE STEP THREE FOR COVER INSTALL/REMOVAL INSTRUCTIONS. PROPER SAFETY MEASURES AND EQUIPMENT SHOULD BE USED FOR PACKETLINXS INSTALLATION. 085-0105-84D MODEL SHOWN



1

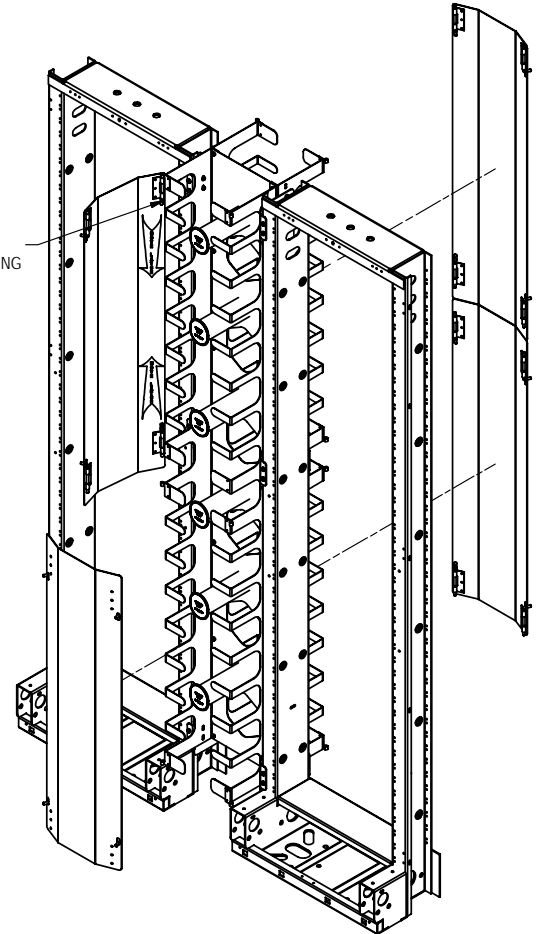


DETAIL C  
SCALE 0.15 : 1

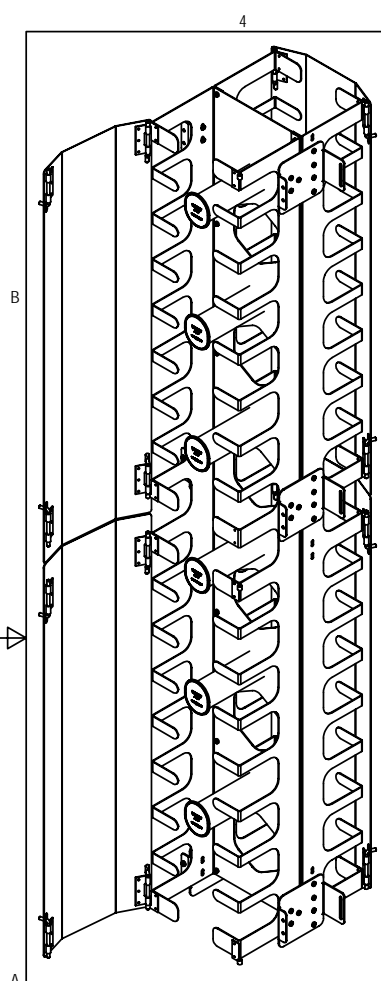
REV	ECO	DESCRIPTION	DATE	BY
2				
1				

3

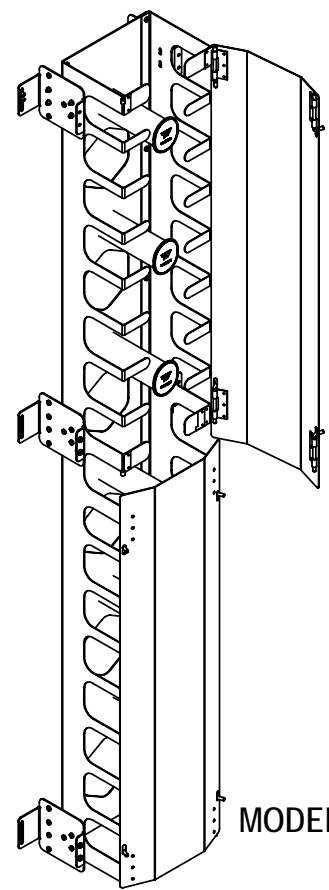
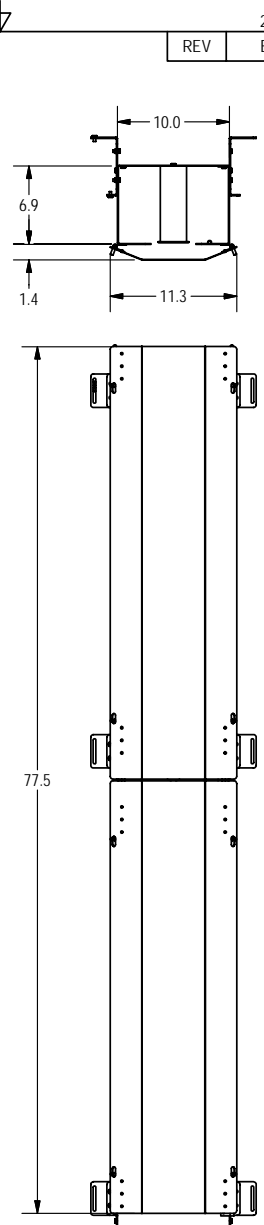
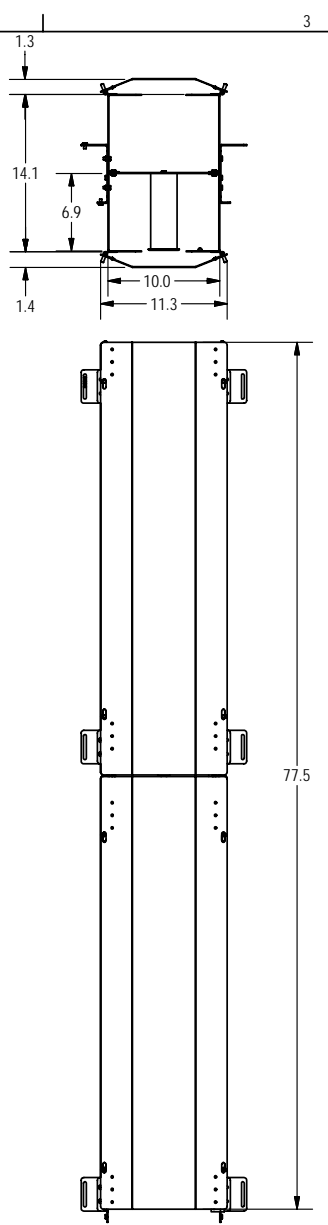
TO REMOVE/INSTALL COVERS, DISENGAGE HINGES BY DEPRESSING LATCHES AT TOP AND BOTTOM



DESIGNED BY <b>MARK BOYER</b>	DATE 2/17/2006	<b>Telect</b> CONNECTING THE FUTURE			N 2111 Molter Road PO Box 665 Liberty Lake, Washington 99019 (509) 926-6000	
DRAWN BY mboyer	DATE 3/10/2006	TITLE INSTALLATION DIAGRAM				
<b>NOT FOR REPRODUCTION</b> COPYRIGHT: 2006 This document contains proprietary information that is property of TELECT, INC., Spokane, Washington. It is intended for the exclusive use of our customer for information, installation, and/or service. The recipient agrees not to reproduce or copy this document or its contents in whole or in part without prior written permission from TELECT, INC. This document must be returned promptly if no longer needed or upon written request from TELECT, INC.		ASSY.DWGPACKETLINXS BAY,UEF,19X84 BLACK				
DRAWING NO 131800		SHEET SIZE B IN		UNITS IN		
PROJECT	SCALE NTS	SHEET 2 OF 2		REV A0		



MODEL 085-010S-84D



MODEL 085-010S-84S

REV	ECO	DESCRIPTION	DATE	BY
2				

DESIGNED BY <b>MARK BOYER</b>	DATE 2/17/2006	<b>Telect</b> CONNECTING THE FUTURE			N 2111 Molter Road PO Box 665 Liberty Lake, Washington 99019 (509) 926-6000		
DRAWN BY mboyer	DATE 3/10/2006	TITLE INSTALLATION DIAGRAM					
<b>NOT FOR REPRODUCTION</b> COPYRIGHT: 2006 This document contains proprietary information that is property of TELECT, INC., Spokane, Washington. It is intended for the exclusive use of our customer for information, installation, and/or service. The recipient agrees not to reproduce or copy this document or its contents in whole or in part without prior written permission from TELECT, INC. This document must be returned promptly if no longer needed or upon written request from TELECT, INC.		ASSY,DWGPACKETLINXS BAY,UEF,19X84,BLACK				SHEET SIZE B	UNITS IN
DRAWING NO 131800		PROJECT NTS	SCALE 1	SHEET 1 OF 2	REV A0		