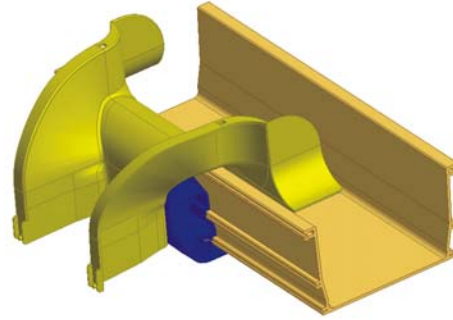


WaveTrax Express Off-Ramp

Model 027-2000-4065

Installation Guide



1.1 Preparation

CAUTION

CAUTION! Only qualified personnel may install and maintain this product.

ALERT

ALERT! These instructions presume you have verified that the Telect equipment being installed is compatible with the rest of the system, including equipment from other vendors.

Please read these instructions carefully before beginning installation. If you need assistance, call Technical Support at 1-888-821-4856 (domestic calls), or 509-921-6161 (Option 2), or email us at getinfo@telect.com.

Inspect equipment after unpacking and compare it to the packing list.

Immediately report any shipping damage, defects, or missing parts to Telect at 1-800-551-4567. Keep all documentation that comes with your shipment.

Telect is not liable for shipping damage. If the product is damaged, notify the carrier and call Telect's Customer Service Department at 1-800-551-4567 (domestic only) or 1-509-926-6000 for further recourse.

NOTE: For service or warranty information, please visit the telect.com website, or email inquiries to getinfo@Telect.com and click on the "Support" tab, or phone us at 800-551-4567 (domestic only) or 509-926-6000.

You need standard tools for this installation.

1.2 Installation

1.2.1 Mount Support Bracket to Off-Ramp

Push the support bracket into the mating protrusions on the underside of the off-ramp until the bracket tab snaps onto the small locking ridge. See Figure 1.

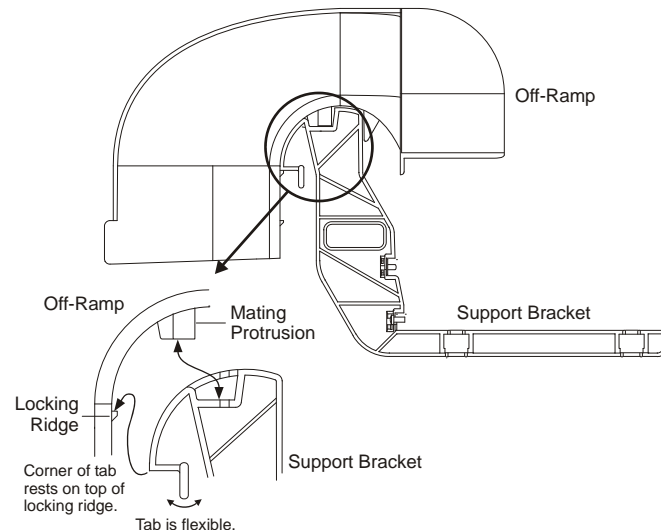


Figure 1 - Mounting Support Bracket to Off-Ramp

1.2.2 Mount Support Bracket to Trough

The support bracket/off-ramp secures to the trough with two self-tapping, captive screws:

1. Position the support bracket against the side of the trough.
2. Tighten the two captive screws to attach the support bracket to the trough.

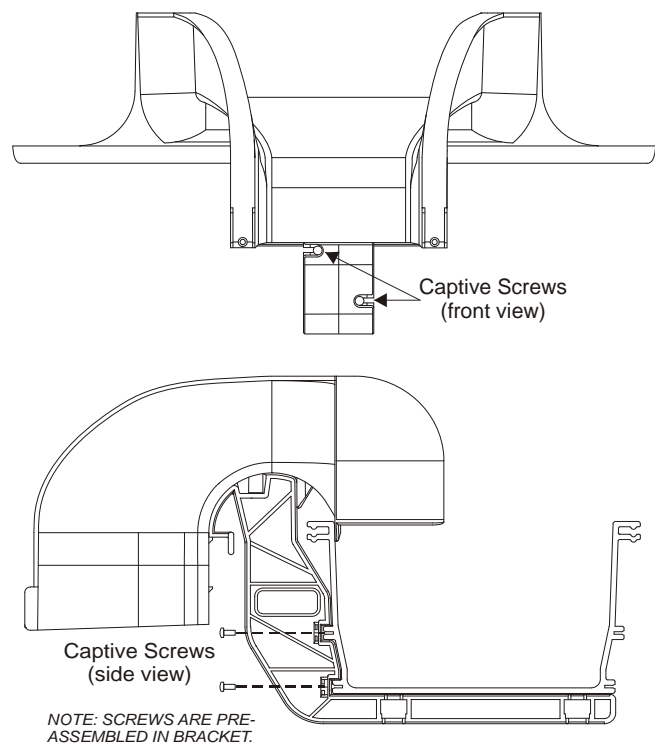


Figure 2 - Mount Support Bracket to Trough

1.2.3 Mount Support Bracket to Universal Bracket (Optional)

When required, you can attach the support bracket to Telect mounting brackets. Slots in the support bracket secure hex head bolts.

1. Insert bracket bolt heads into the spaces provided on the support bracket.
2. Insert the bolts through the slots in the bracket. Thread the nuts onto the bolts and tighten.

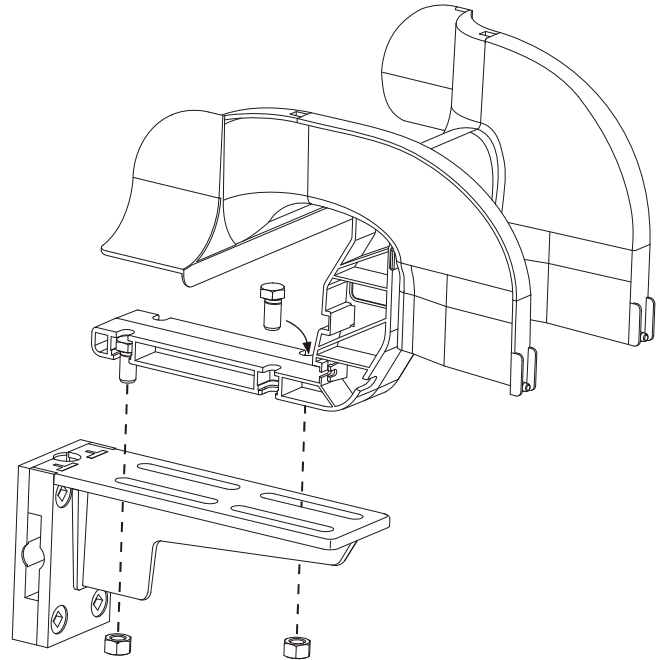


Figure 3 - Mounting Support Bracket to the Universal Bracket

Telect assumes no liability from the application or use of these products. Neither does Telect convey any license under its patent rights nor the patent rights of others. This document and the products described herein are subject to change without notice.