

ELF RJ45C to RJ45C Patch Module

Model ELF-9716-1900

Installation Guide

1.1 Overview

Telect's ELF family of modules features small-factor "Elf-sized" units ideally suited for deployment terminations at the network's edge.

Telect's ELF RJ45C to RJ45C Patch Module provides patching between 16, shielded RJ45C connectors on the rear and male RJ45C connectors inserted in corresponding shielded RJ45C connectors on the front. Each patch module includes a tie bar on the front, with the ELF chassis (Telect Model ELF-0000-2400) providing tie bar anchorage for the rear.

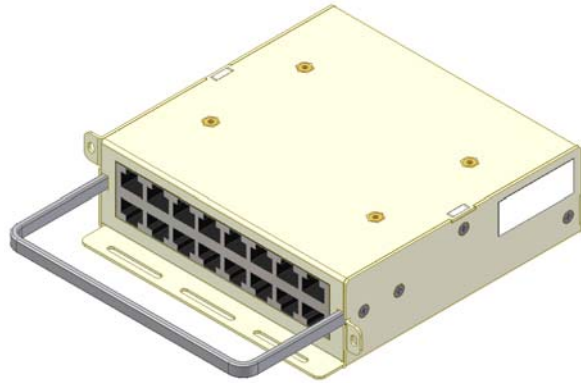


Figure 1 - Model ELF-9716-1900

1.2 Inspection

Please read these instructions carefully before beginning installation. If you need assistance, call Technical Support at 1-888-821-4856 (domestic calls), or 509-921-6161 (Option 2), or email us at getinfo@telect.com.

Inspect equipment after unpacking and compare it to the packing list.

Immediately report any shipping damage, defects, or missing parts to Telect at 1-800-551-4567. Keep all documentation that comes with your shipment.

Telect is not liable for shipping damage. If the product is damaged, notify the carrier and call Telect's Customer Service Department at 1-800-551-4567 (domestic only) or 1-509-926-6000 for further recourse.

NOTE: For service or warranty information, please visit the telect.com website, or email inquiries to getinfo@Telect.com and click on the "Support" tab, or phone us at 800-551-4567 (domestic only) or 509-926-6000.

1.3 Installation

! ALERT

ALERT! Only qualified technicians may install and maintain this product.

3. Connect up to 16, 100-Ohm cables (CAT 5 or CAT 5E, for example) containing four twisted pairs to the RJ45C connectors on the rear of the module, as shown in Figure 4.
4. Arrange cables such that they lie over the tie bars at the rear of the panel, unless directed otherwise by operating company standards.
5. Use cable tie(s) or lacing to secure cables to the panel's tie bar.
6. Use RJ45C jacks at the front of the module for interconnection or patching. Use the tie bar on the front of the module to secure the RJ45C cables.

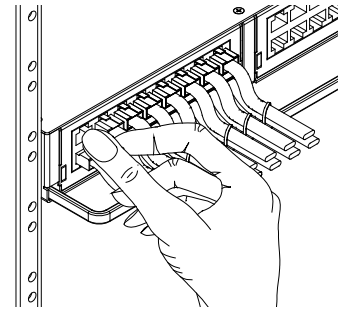
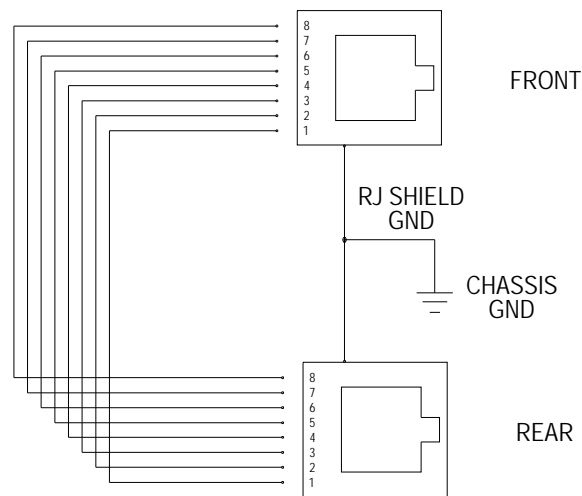


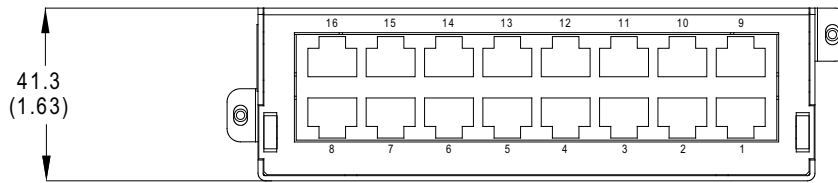
Figure 4 - Cabling the Rear of the Module

1.4 Schematic

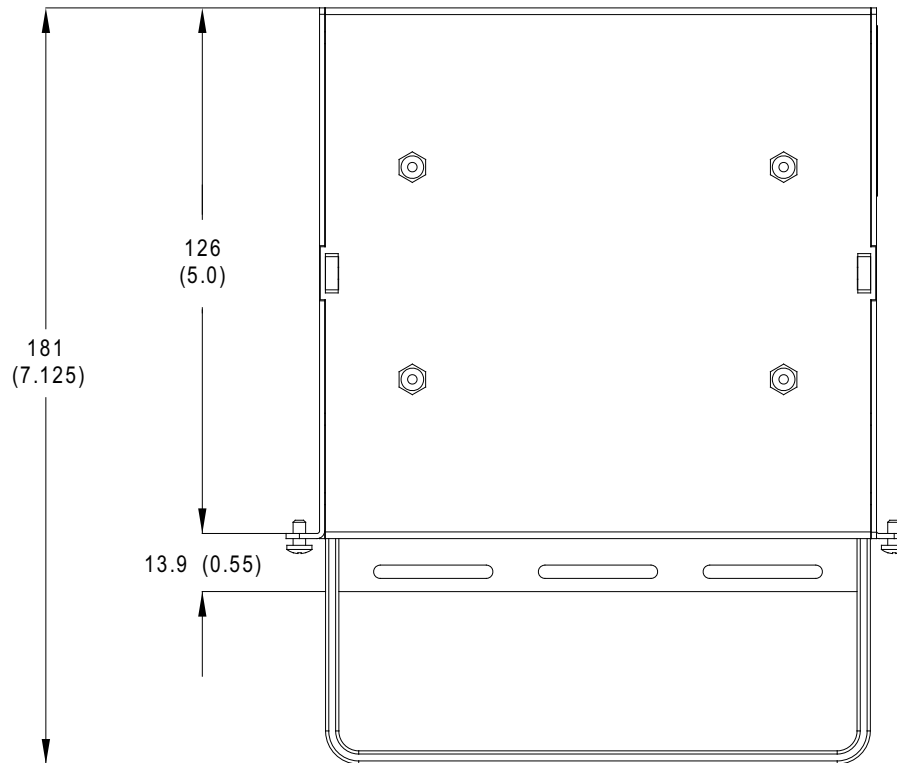


1.5 Assembly Drawing

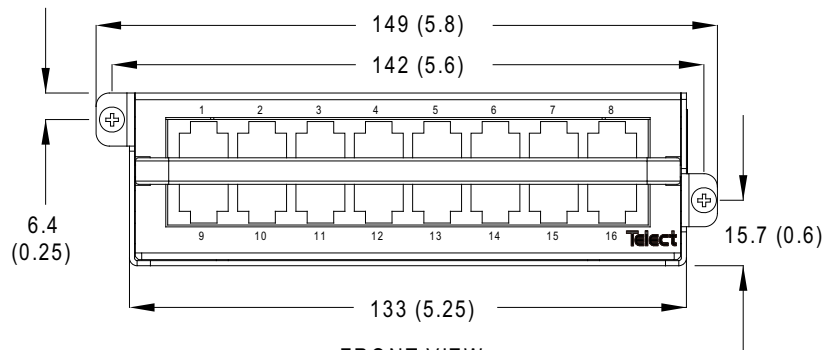
NOTE: Dimensions are in mm (in.)



REAR VIEW
(ROTATED)



TOP VIEW



FRONT VIEW