

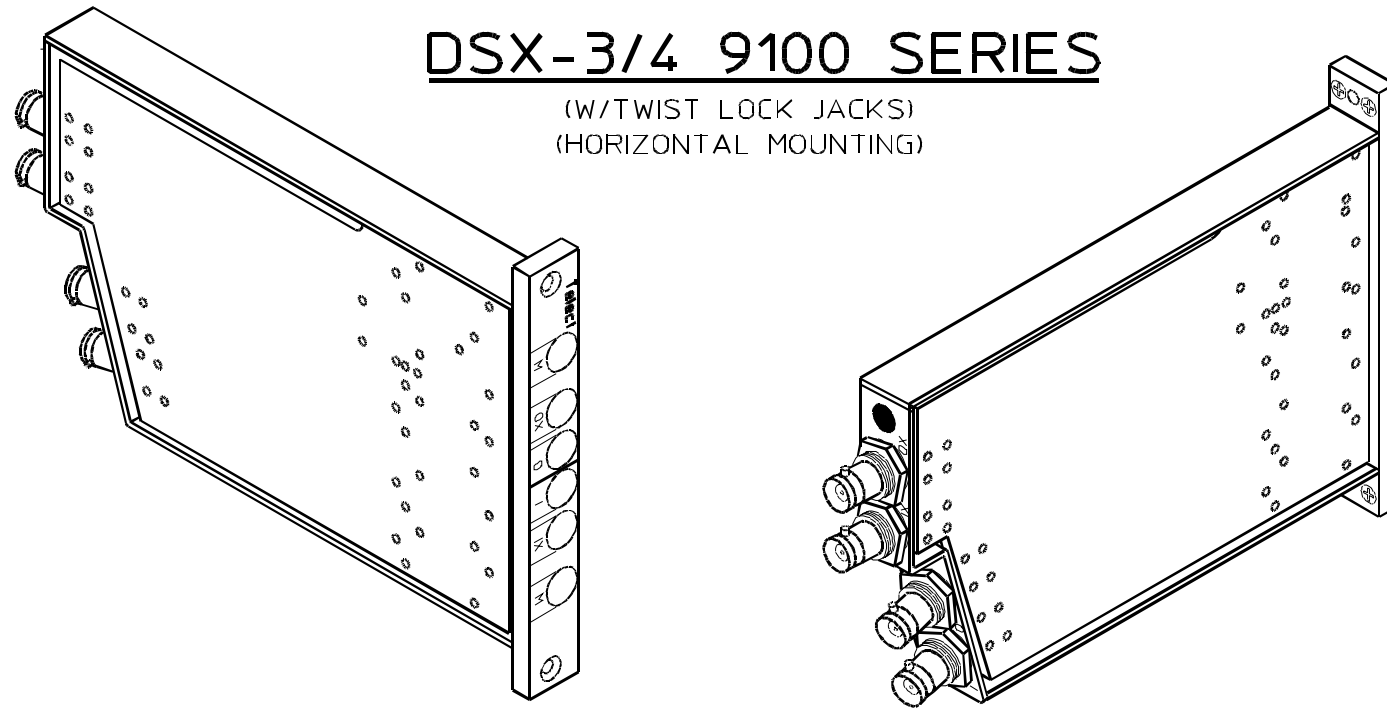
**NOTES:**

1. DIMENSIONS ARE IN  $\frac{\text{INCHES}}{\text{CENTIMETERS}}$
2. DIMENSIONS ARE FOR REFERENCE ONLY.
3. PRODUCT ID/SERIAL NUMBER DECAL LOCATION.

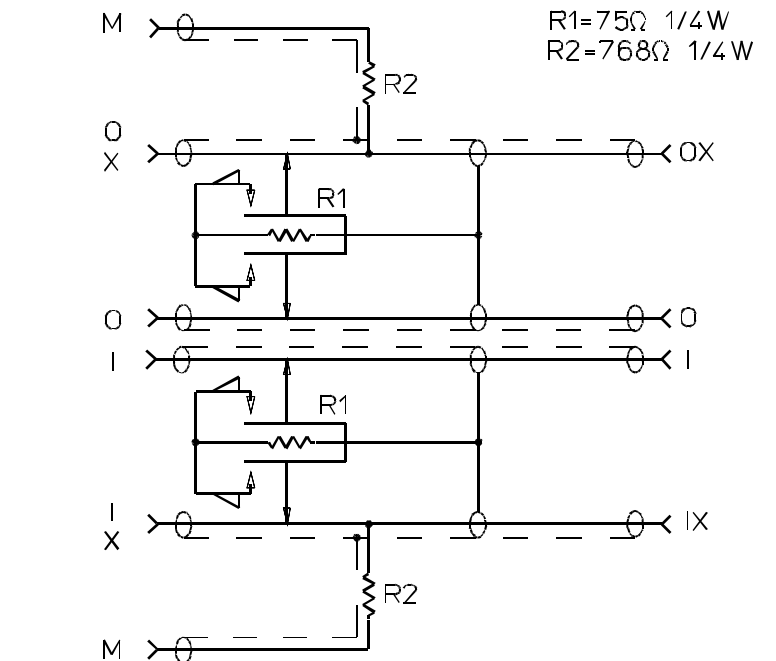
REV	ECN	DESCRIPTION	DATE	BY	APR
1	1821	ADDED JACK CLIP	06DEC90	CRB/DS	
2	7600	UPDATED CABLE VIEWS	02DEC96	JLL	
3	8259	CHANGED TO PCB	28AUG97	SLI	

**DSX-3/4 9100 SERIES**

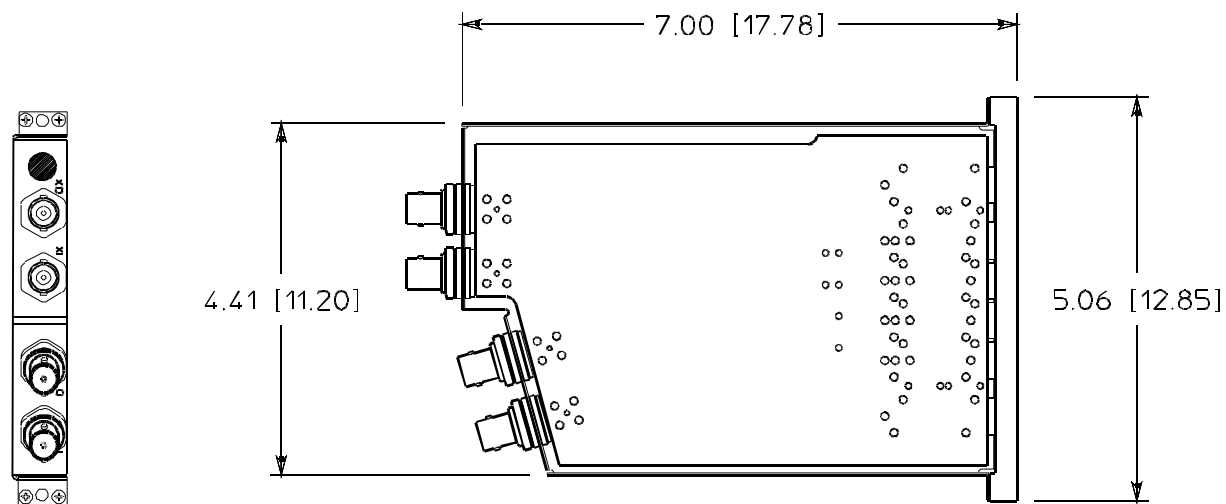
(W/TWIST LOCK JACKS)  
(HORIZONTAL MOUNTING)



**ISOMETRIC VIEW**

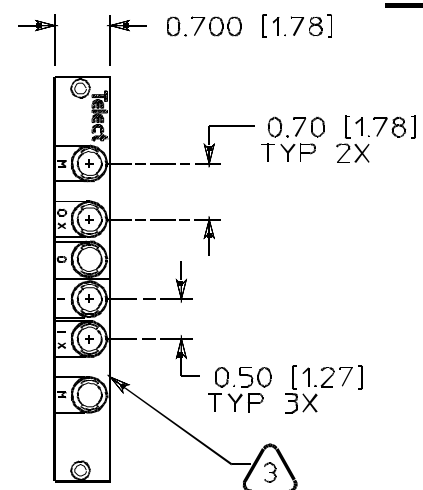


FRONT REAR  
**REFERENCE SCHEMATIC**



**REAR VIEW**

**SIDE VIEW**



**FRONT VIEW**

APPROVALS		DATE		Telect®	
DRAWN BY C.BECK		24MAY90		N 2111 Maller Road PO Box 665 Liberty Lake, Washington 99019 (509) 926-6000	
DESIGNED BY C.BECK		24MAY90		CONNECTING THE FUTURE	
APPROVED				TITLE	
APPROVED				CUSTOMER DRAWING DSX3:MOD.UT.RXC.MW.BNC.HORIZ	
DWG TYPE	PART NO	DWG SIZE	ISSUE		
C	010-9101-0411	B	A		
PROJECT	ME10 CAD FILE	SCALE	SHEET of	REV	
----		0.44 : 1	1 1	3	

NOT FOR REPRODUCTION. COPYRIGHT 1990. This document contains proprietary information that is property of TELECT, INC., Spokane, Washington. It is intended for the exclusive use of our customer for information, installation, and/or service. The recipient agrees not to reproduce or copy this document or its contents in whole or in part without prior written permission from TELECT, INC. This document must be returned promptly if no longer needed or upon written request from TELECT, INC.