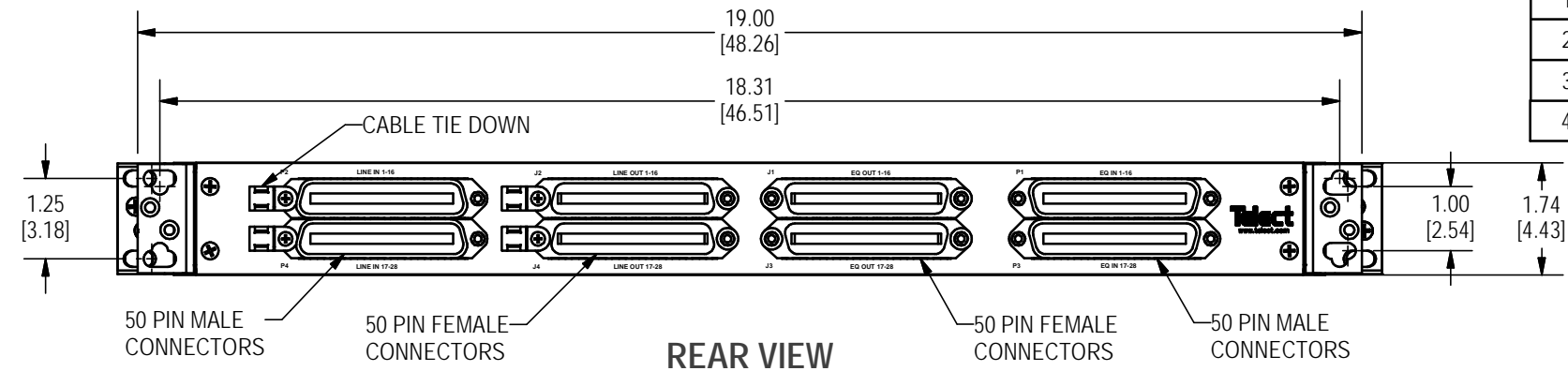
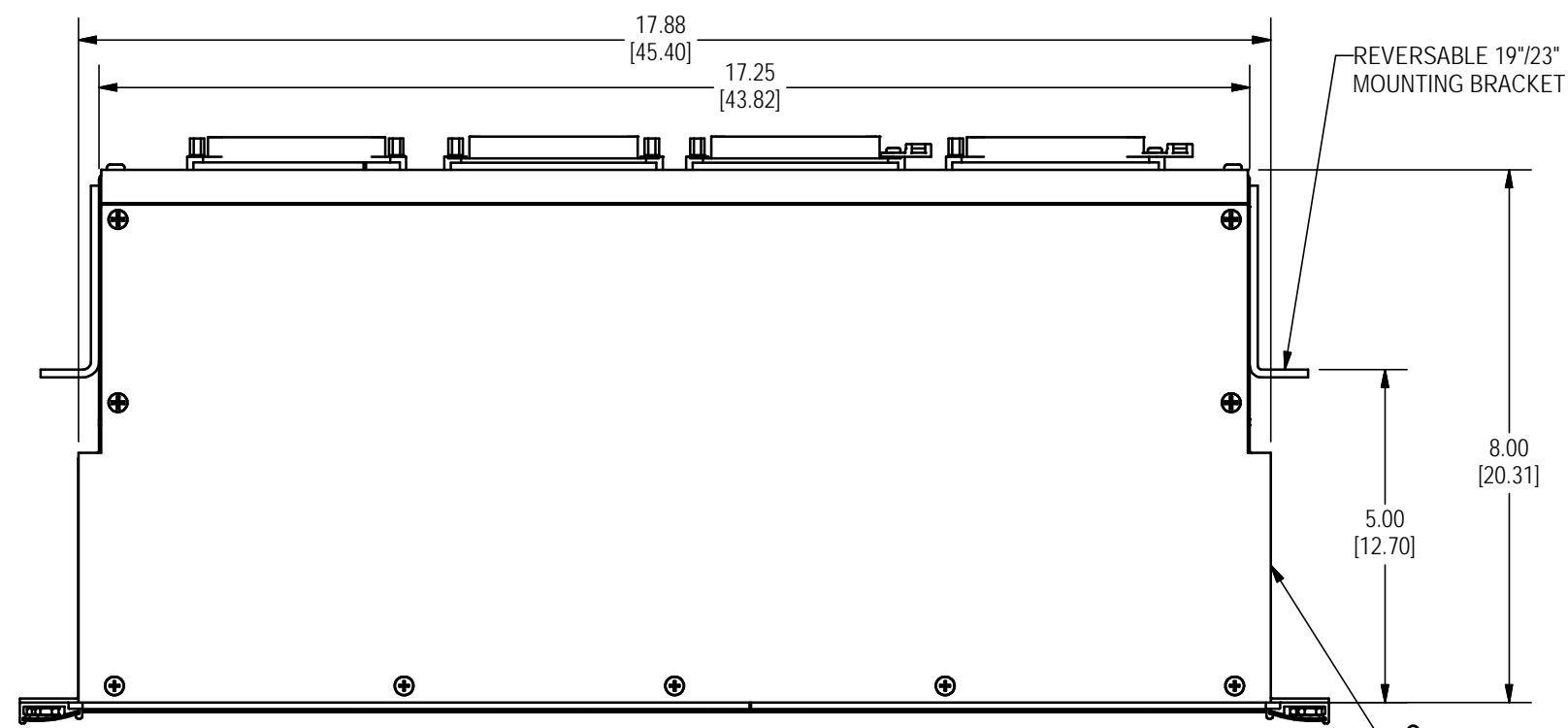


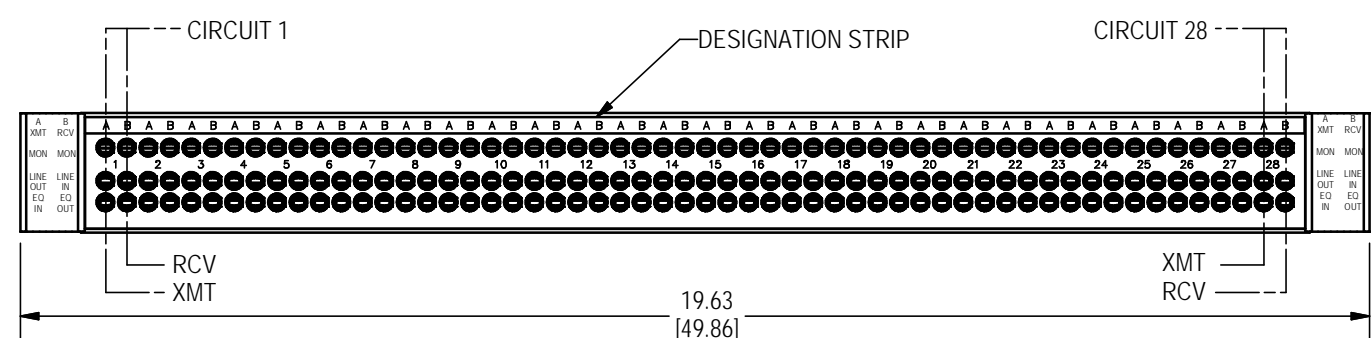
REV	ECO	DESCRIPTION	DATE	BY
1	---	REVISE PER CUSTOMER REQUEST	26MAR02	BLF
2	SP2056	REVISE DESIGNATION PER CUSTOMER REQUEST	14JUN02	BLF
3	SP2390	REVISE DESIGNATION PER CUSTOMER REQUEST	18JUN03	BLF
4	SP2560	REPLACE 125746 W/ 127119	10/21/03	BLF



REAR VIEW



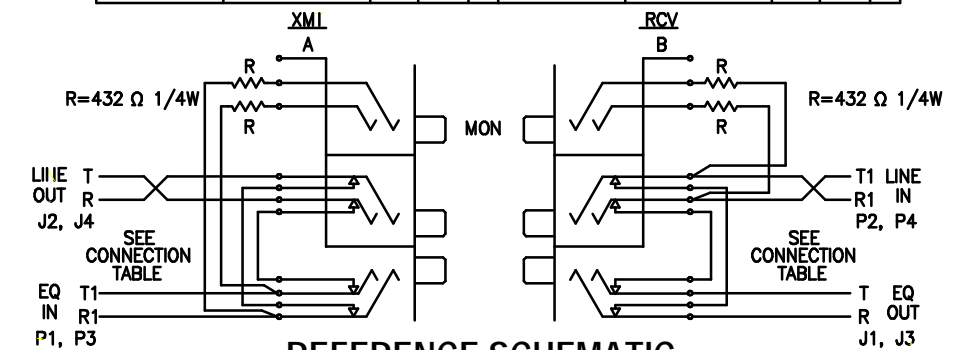
TOP VIEW



FRONT VIEW

- NOTES:**
- DIMENSIONS ARE IN INCHES [CENTIMETERS].
 - DIMENSIONS ARE FOR REFERENCE ONLY.
 - PRODUCT ID/SERIAL NUMBER DECAL LOCATION.
 - 180° MATING CONNECTORS ARE RECOMMENDED FOR THE REAR 50 PIN CONNECTORS.

CKT 1	XMT	EQ IN	T	26	CKT 1	XMT	LINE OUT	T1	26
REPEATED					REPEATED				
CKT 16	XMT	EQ IN	T	41	CKT 16	XMT	LINE OUT	T1	41
CKT 17	XMT	EQ IN	R	16	CKT 17	XMT	LINE OUT	R1	16
REPEATED					REPEATED				
CKT 28	XMT	EQ IN	T	37	CKT 28	XMT	LINE OUT	T1	37
CKT 1	RCV	EQ OUT	R1	12	CKT 1	RCV	LINE IN	R	12
REPEATED					REPEATED				
CKT 16	RCV	EQ OUT	T1	41	CKT 16	RCV	LINE IN	T	41
CKT 17	RCV	EQ OUT	R1	16	CKT 17	RCV	LINE IN	R	16
REPEATED					REPEATED				
CKT 28	RCV	EQ OUT	T1	37	CKT 28	RCV	LINE IN	T	37
			R1	12				R	12



REFERENCE SCHEMATIC
TYPICAL OF 28 CIRCUITS

DESIGNED BY B. FULLER	DATE 8/30/2001	Telect CONNECTING THE FUTURE	N 2111 Molter Road PO Box 665 Liberty Lake, Washington 99019 (509) 926-6000	
DRAWN BY B. FULLER	DATE 2/11/2002		TITLE CUSTOMER DRAWING	
NOT FOR REPRODUCTION COPYRIGHT: 2002 This document contains proprietary information that is property of TELECT, INC., Spokane, Washington. It is intended for the exclusive use of our customer for information, installation, and/or service. The recipient agrees not to reproduce or copy this document or its contents in whole or in part without prior written permission from TELECT, INC. This document must be returned promptly if no longer needed or upon written request from TELECT, INC.				
TITLE DSP1:PNL,56TERM,19x1.75",50P,4M,4F				
DRAWING NO 010-0656-0100			SHEET SIZE B	ISSUE A
PROJECT 4338	SCALE 0.25 : 1.0	SHEET 1 OF 1	REV 4	