

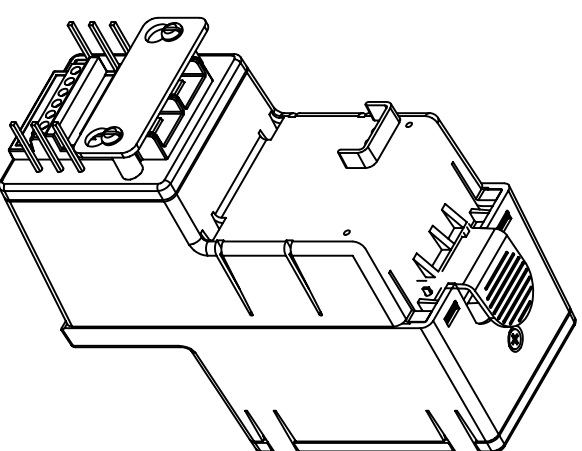
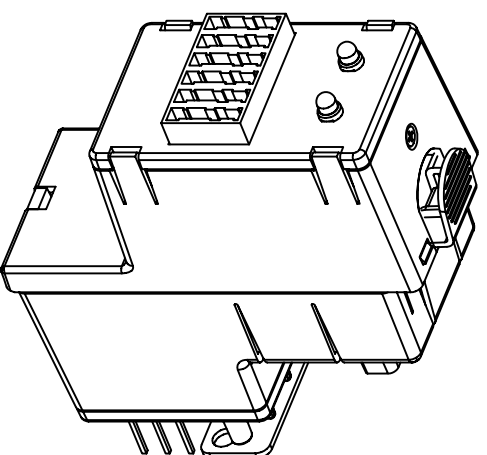
NOTES:

1. DIMENSIONS ARE IN INCHES [CENTIMETERS].
2. DIMENSIONS ARE FOR REFERENCE ONLY.
3. PRODUCT ID/SERIAL NUMBER DECAL LOCATION.
4. POWER FEED, MAXIMUM 40A USING #8 AWG WIRE.
5. FUSES, 8A MAX, GMT TYPE.
6. ALARM RELAY CONTACTS, 2A MAX.
7. INPUT VOLTAGE: +20 TO +27 VDC
-42 TO -56 VDC

8. ALARM OUTPUT CONNECTORS ARE LABELED IN THE STANDARD OPERATING CONDITION WITH POWER APPLIED AND NO ALARMS.

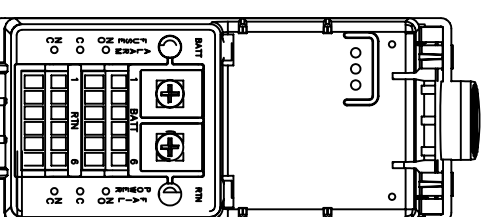
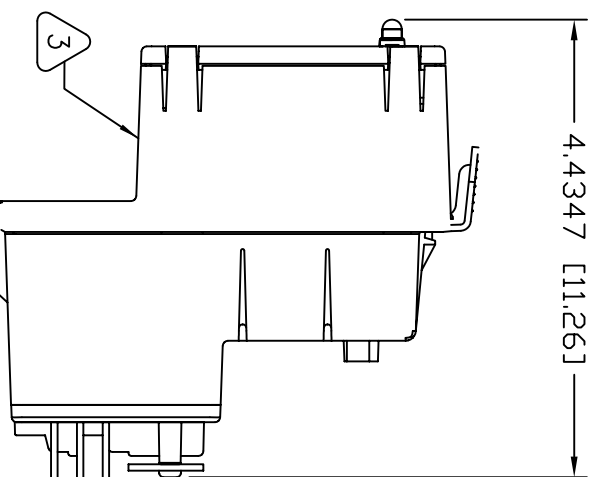
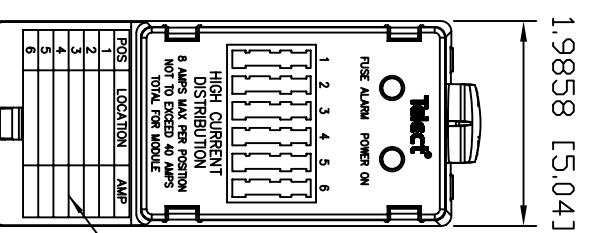
9. INPUT TERMINALS ACCEPT A #6 RING TERMINAL MAX TORQUE IS 5 INCH POUNDS.
10. OUTPUT TERMINALS ACCEPT A #22-16 AWG WIRE. MAX TORQUE IS 5 INCH POUNDS.

11. DESIGNATION STRIP TO BE APPLIED BY CUSTOMER.



FRONT ISOMETRIC VIEW

REAR ISOMETRIC VIEW

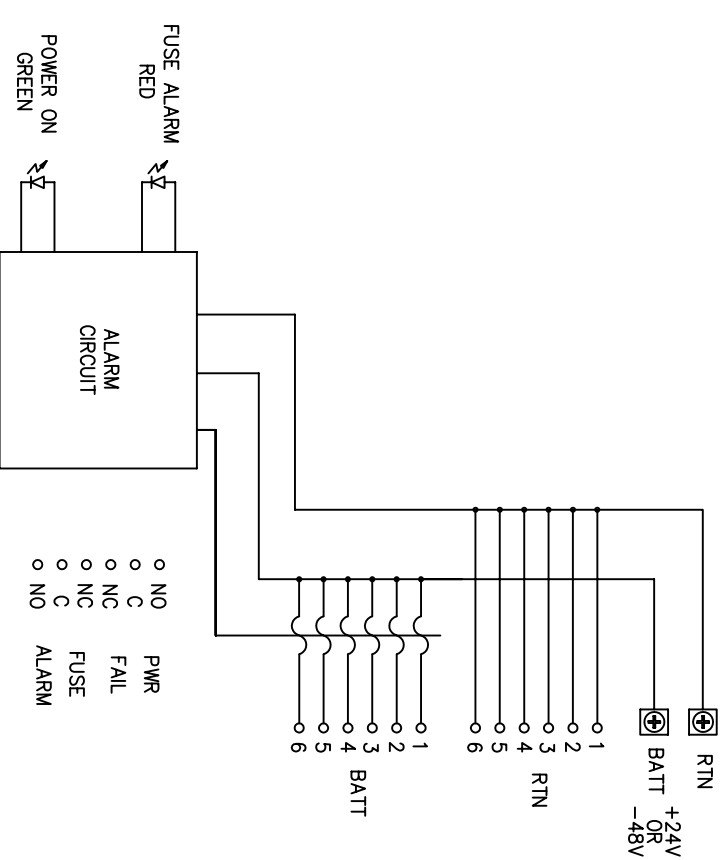


FRONT VIEW

SIDE VIEW

REAR VIEW

REV	ECN	DESCRIPTION	DATE	BY	APR
1	---	ADDED NOTES	21OCT198	TGC	
2	9455	CHANGE FRONT FACE PLATE	21APR99	JLL	
3	SP2975	REMOVE TELEMIX LOGO	10MAY05	KLS	



REFERENCE SCHEMATIC

DESIGNED BY T. CARLISLE	DATE 06OCT198	Telect <small>CONNECTING THE FUTURE</small> N 2111 Moter Road PO Box 665 Liberty Lake, Washington 99019 (509) 926-6000	
DRAWN BY	DATE	CUSTOMER DRAWING FUSE PNL,SGL,6,COMP,WHIT,4000	
NOT FOR REPRODUCTION COPYRIGHT 1998		PART NO	SHEET SIZE/ISSUE
This document contains proprietary information that is property of TELECT, INC., Spokane, Washington. It is intended for the exclusive use of our customer for information, installation, and/or service. The recipient agrees not to reproduce or copy this document or its contents in TELECT, INC. This document must be returned promptly if no longer needed or upon written request from TELECT, INC.		009-4000-0001	B
		PROJECT SCALE	SHEET
		3168	1 of 1
		0.5:1	3