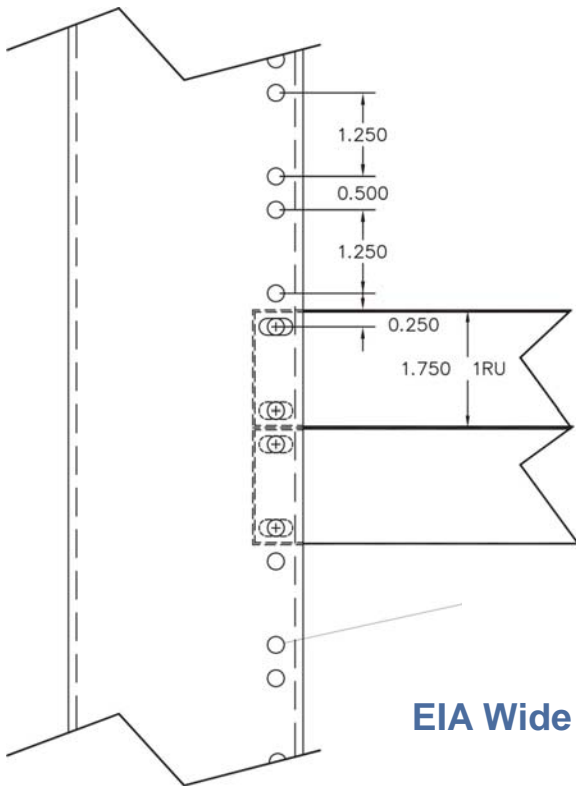
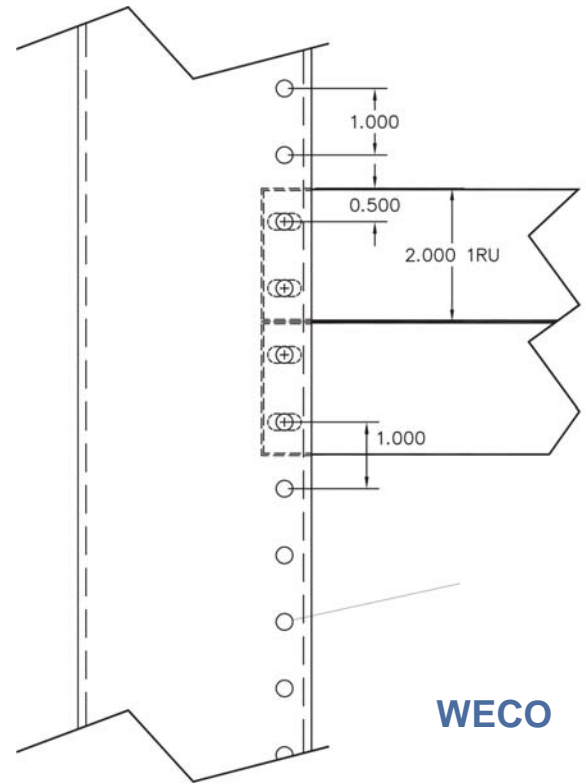


# EIA, WECO and ETSI Mounting Hole Spacing

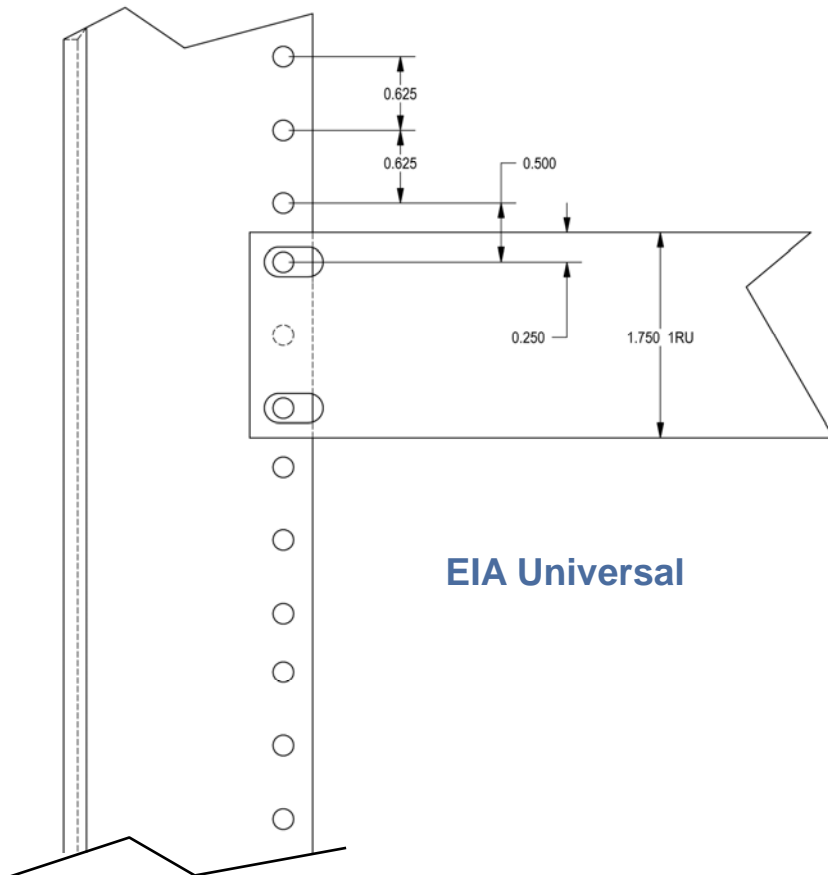
## Dimensions and Specifications



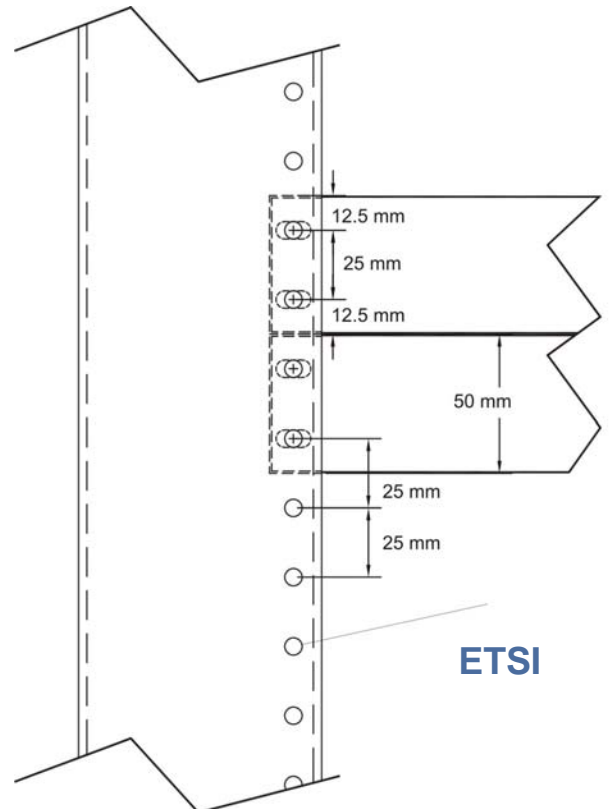
**EIA Wide**



**WECO**



**EIA Universal**



**ETSI**