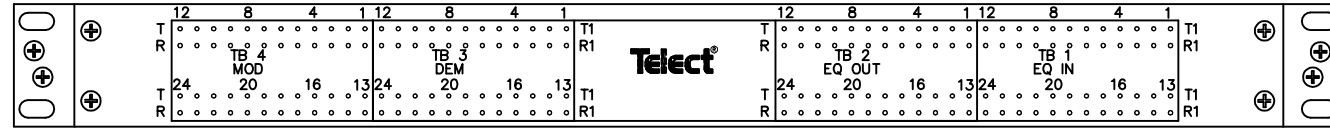


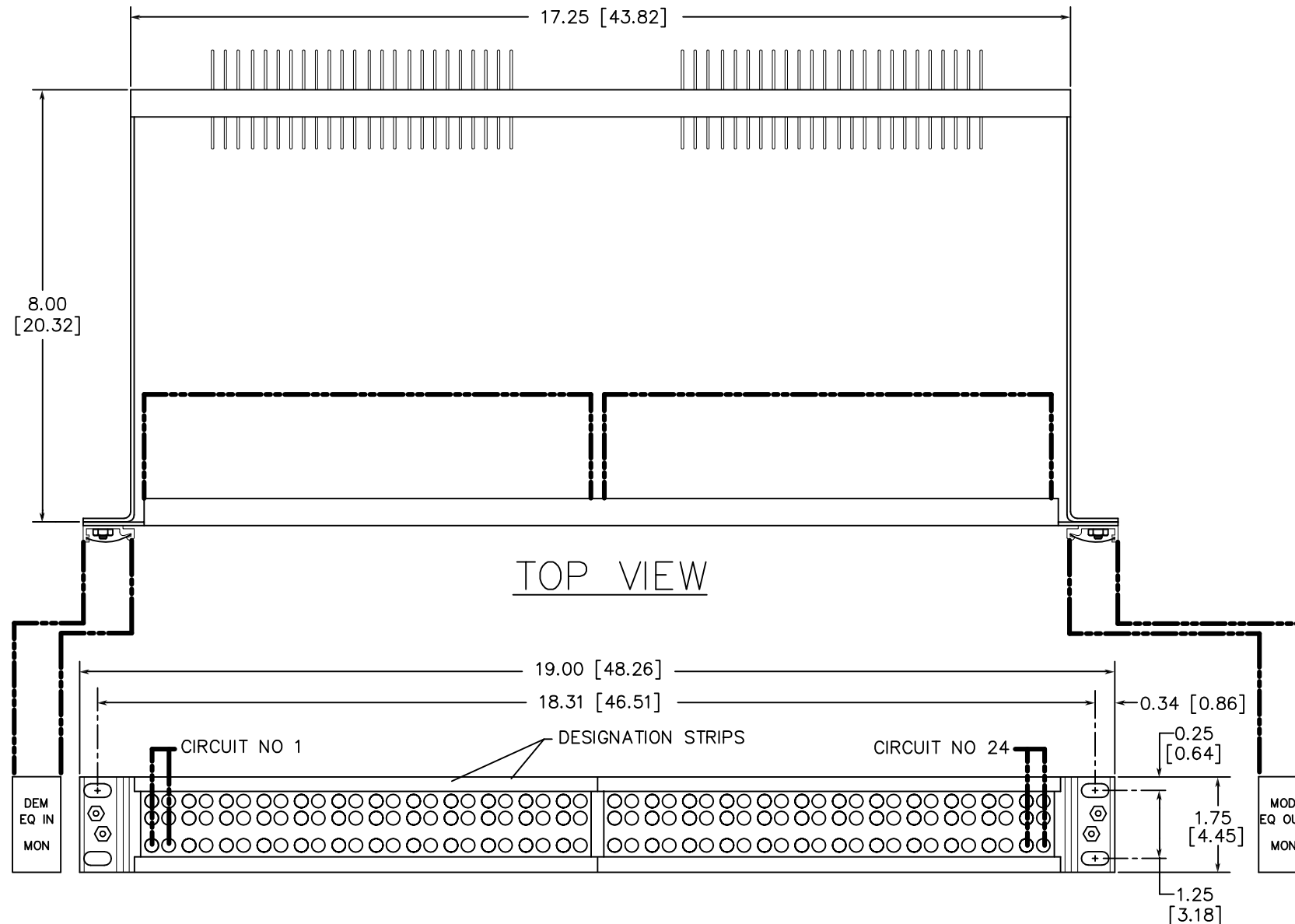
NOTES:

1. DIMENSIONS ARE IN INCHES [CENTIMETERS] AND ARE FOR REFERENCE ONLY.

REV	ECN	DESCRIPTION	DATE	BY	APR
2	---	UPDATED	08JULY91	LT	
3	3447	ADD NEW PIN BLOCKS	13NOV92	PNP	
4	4236	REVISED SCHEMATIC	07DEC93	MZ	

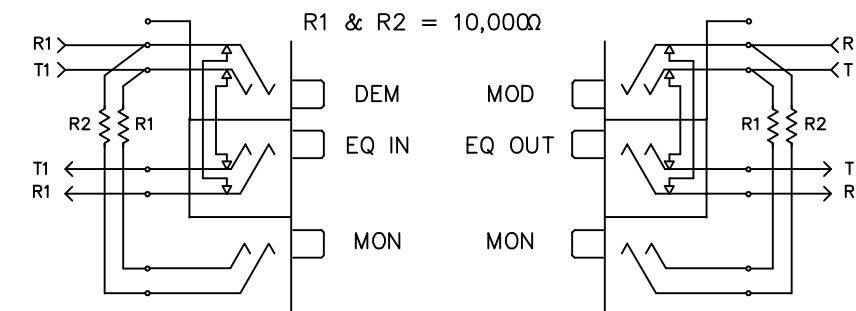


REAR VIEW
(ROTATED)



FRONT VIEW

	CKT	TB	CLM	PIN			CKT	TB	CLM	PIN		
EQ IN	1	1	1	A	T1	DEM	1	3	1	A	T1	
				B	R1					B	R1	
REPEATED						REPEATED						
EQ IN	12	1	12	A	T1	DEM	12	3	12	E	T1	
				B	R1					F	R1	
EQ IN	13	1	1	E	T1	DEM	13	3	1	E	T1	
				F	R1					F	R1	
REPEATED						REPEATED						
EQ IN	24	1	12	E	T1	DEM	24	3	12	E	T1	
				F	R1					F	R1	
EQ OUT	1	2	1	A	T	MOD	1	4	1	A	T	
				B	R					B	R	
REPEATED						REPEATED						
EQ OUT	12	2	12	A	T	MOD	12	4	12	A	T	
				B	R					B	R	
EQ OUT	13	2	1	E	T	MOD	13	4	1	E	T	
				F	R					F	R	
REPEATED						REPEATED						
EQ OUT	24	2	12	E	T	MOD	24	4	12	E	T	
				F	R					F	R	



REFERENCE SCHEMATIC
TYPICAL OF 24 CIRCUITS

APPROVALS		DATE	Telect®		N 2111 Molter Road PO Box 665 Liberty Lake, Washington 99019 (509) 926-6000		
DRAWN BY L. COLLINS		26AUG86	CONNECTING THE FUTURE				
DESIGNED BY			TITLE		CUSTOMER DRAWING DSP-WW1C,24CKT,19",WW I/O		
APPROVED			DWG TYPE		PART NO		
APPROVED			C		010-0624-0005		
NOT FOR REPRODUCTION		COPYRIGHT 1986		DWG SIZE		ISSUE	
This document contains proprietary information that is property of TELECT, INC., Spokane, Washington. It is intended for the exclusive use of our customer for information, installation, and/or service. The recipient agrees not to reproduce or copy this document or its contents in whole or in part without prior written permission from TELECT, INC. This document must be returned promptly if no longer needed or upon written request from TELECT, INC.				B		A	
		PROJECT		SCALE		SHEET of REV	
		AutoCAD FILE		NTS		1 1 4	