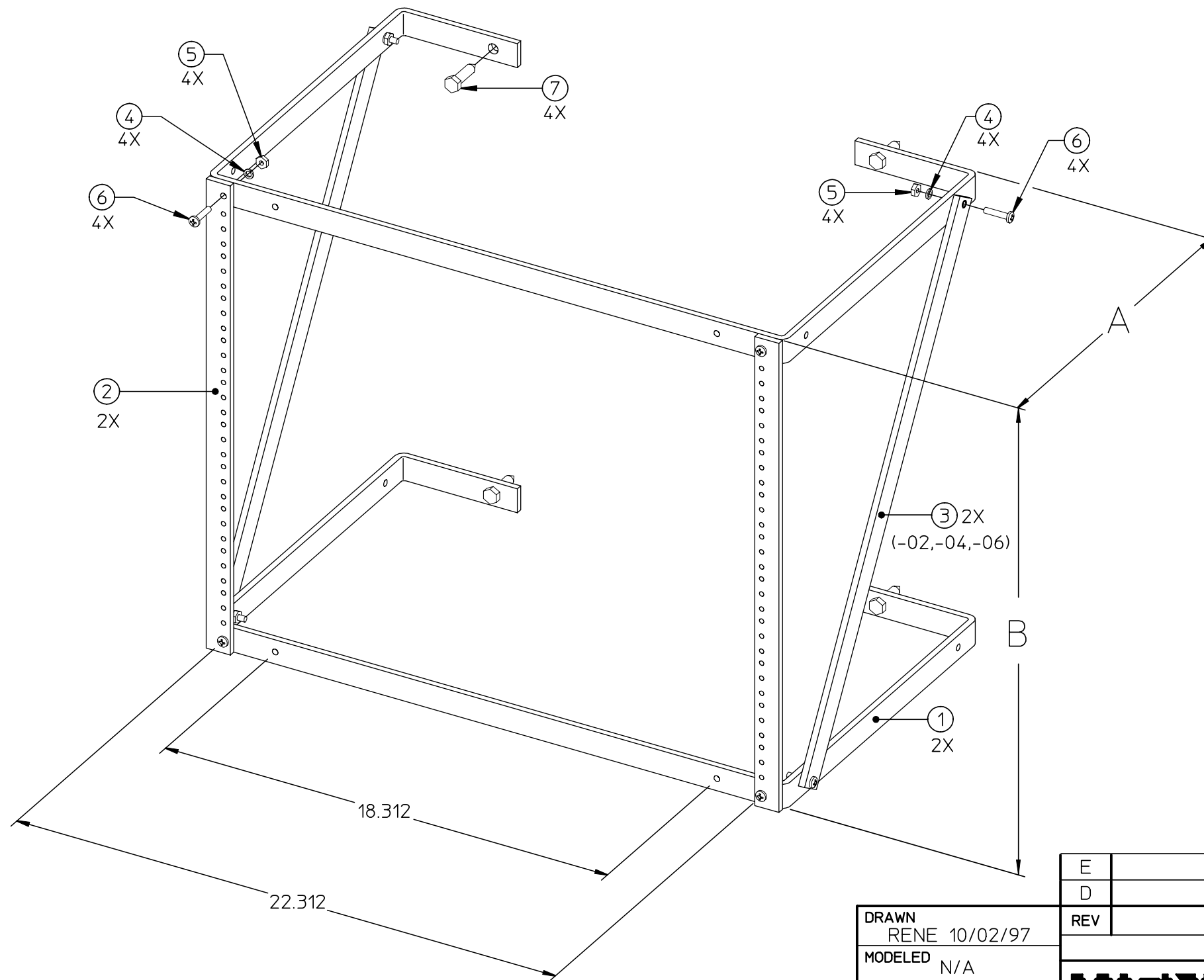


PART NO	DIMENSIONS		
	A	B	REV
-01	8.000	19.500	C
-02	14.000	19.500	C
-03	8.000	5.500	A
-04	14.000	5.500	A
-05	8.000	9.000	A
-06	14.000	9.000	A



2. FINISH: SEE BILL OF MATERIALS
 1. PART TO BE FABRICATED IN ACCORDANCE WITH HENDRY WORKMANSHIP STANDARD 51-000002

NOTES: UNLESS OTHERWISE SPECIFIED

DRAWN	RENE 10/02/97
MODELED	N/A
CHECKED	AA 12/13/99
CHECKED	T. Haggemiller 12/15/99
CODE IDENT. NO.	59962
PROPRIETARY INFORMATION NOT TO BE USED WITHOUT HENDRY CONSENT	

E	ECN 01-00326	12/99	
D	ECN 01-00151	10/97	
REV	ECN NO.	DATE	DRWN
REVISIONS			
HENDRY		SCALE	SHEET
		7/32	1 OF 1
TELEPHONE PRODUCTS SANTA BARBARA, CALIFORNIA		WALL MOUNTED RACK	
DIMENSIONS ARE IN INCHES UNLESS OTHERWISE SPECIFIED			
		DWG NO.	E
		02018-XX	

02018-XX E