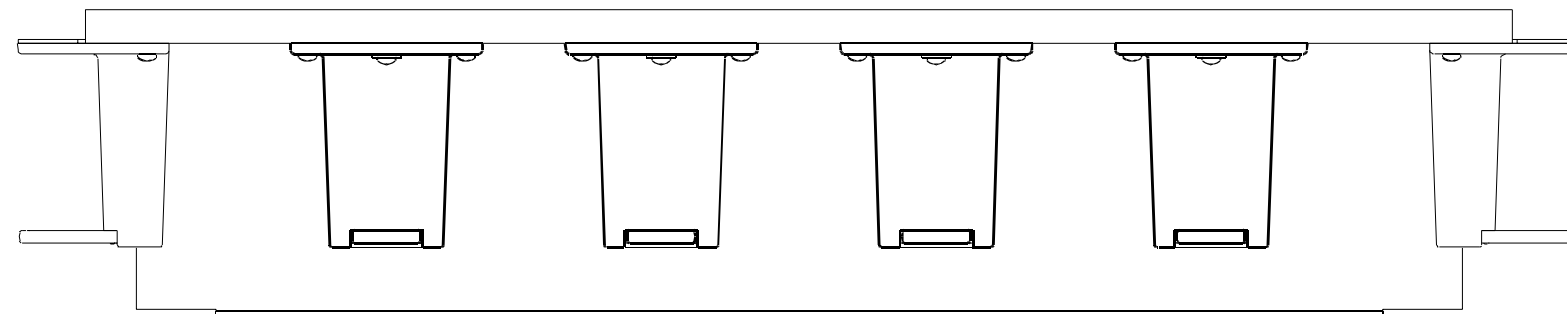


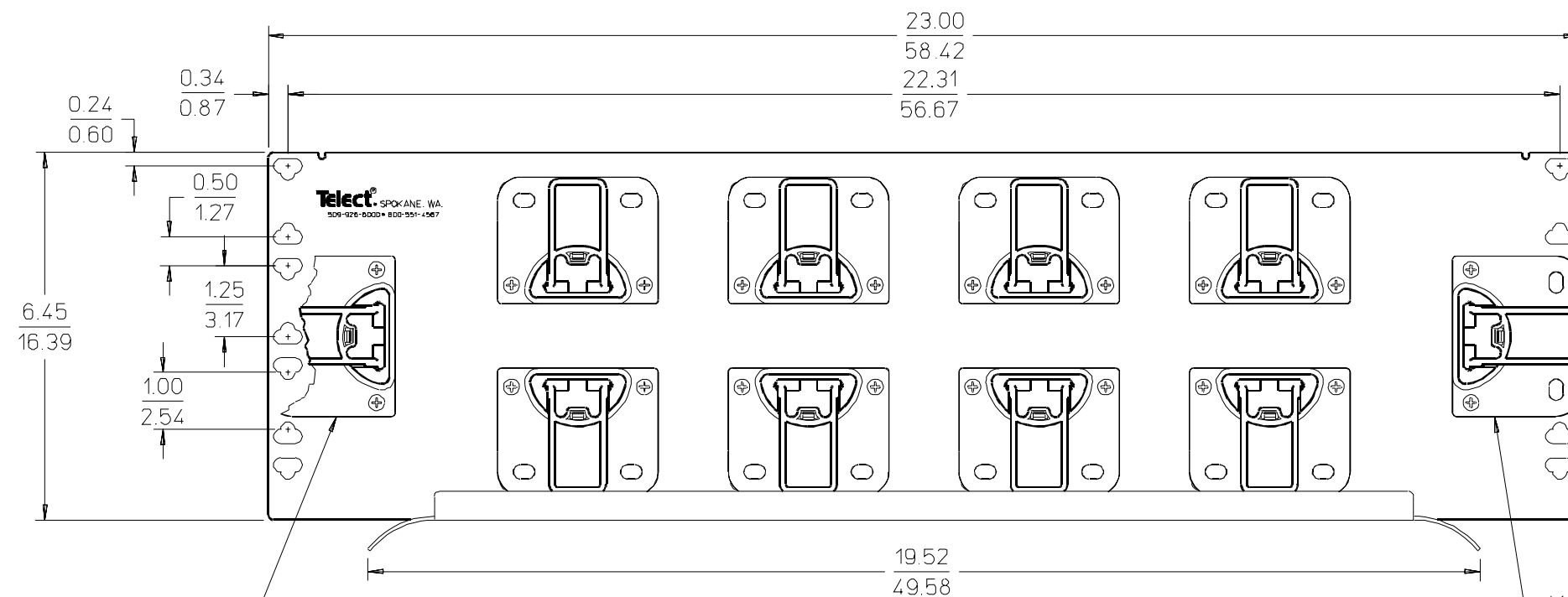
NOTES:

1. DIMENSIONS ARE IN $\frac{\text{INCHES}}{\text{CENTIMETERS}}$
2. DIMENSIONS ARE FOR REFERENCE ONLY.

REV	ECN	DESCRIPTION	DATE	BY	APR
1	---	ADD DIMENSION	03JUNE97	DEP	



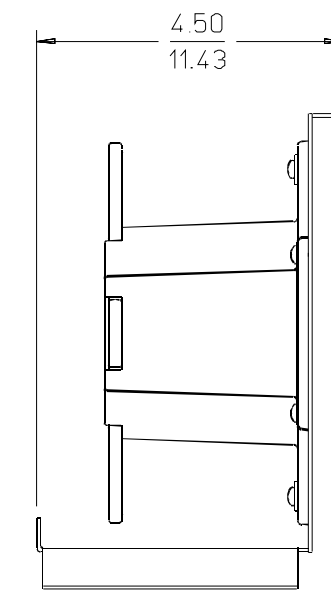
TOP VIEW



K2 BROKEN TO SHOW MOUNTING CONFIGURATION

FRONT VIEW

K2 CABLE GUIDE TYP 10X



SIDE VIEW

APPROVALS		DATE		Telect®	
DRAWN BY	DOUG P.	DATE	15MAY97	N 2111 Moller Road PO Box 665 Liberty Lake, Washington 99019 (509) 926-6000	
APPROVED		CONNECTING THE FUTURE			
APPROVED		TITLE			
APPROVED		CUSTOMER DRAWING LINXS.CMS PANEL.23*			
DWG TYPE	C	PART NO	025-2400-2023	DWG SIZE	B
PROJECT	ME10 CAD FILE	SCALE	0.375 : 1	SHEET	1 of 1
NOT FOR REPRODUCTION		COPYRIGHT 1997			
This document contains proprietary information that is property of TELECT, INC., Spokane, Washington. It is intended for the exclusive use of the customer for information, installation and/or service. The recipient agrees not to reproduce or copy this document or its contents in whole or in part without prior written permission from TELECT, INC. This document must be returned promptly if no longer needed or upon written request from TELECT, INC.					